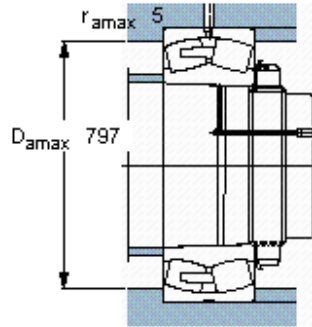
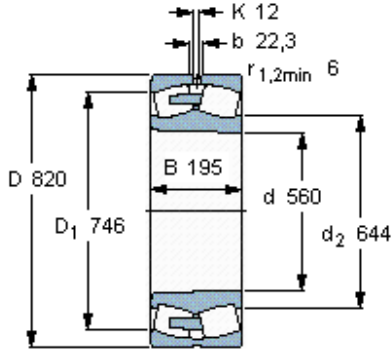


Spherical roller bearings, cylindrical and tapered bore

Principal dimensions			Basic load ratings		Speed ratings	Limiting speed	Designation
d	D	B	dynamic C	static C0	Reference speed		* SKF Explorer bearing
mm			kN		r/min		-
560	820	195	5779	10200	430	750	230/560 CAK/W33 *



Tapered bore, taper
1: 12

Calculation factors

- e 0,22
- Y_1 3
- Y_2 4,6
- Y_0 2,8